

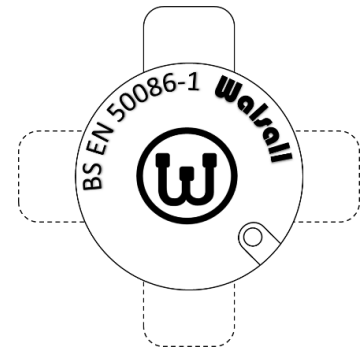


Walsall

Small Circular Boxes

PRODUCT FEATURES

- Material: Made of Malleable Iron
- Finish: Hot Dipped Galvanized
- Tapped M4 at 50.8mm centres
- With a tapped hole in base for earthing screw.
- Supplied without covers or fixing screws unless ordered.



PRODUCT APPLICATIONS

- Use with 20mm & 25mm Conduits

PRODUCT LIST

Description	Part Number	Diameter (mm)	Depth (mm)	Packing
Small Circular Terminal Box	LP101M20	60.3	25	10
Small Circular Terminal Box	LP101M25	60.3	28	10
Small Circular Through Box	LP102M20	60.3	25	10
Small Circular Through Box	LP102M25	60.3	28	10
Small Circular Angle Box	LP103M20	60.3	25	10
Small Circular Angle Box	LP103M25	60.3	28	10
Small Circular Tee Box	LP104M20	60.3	25	10
Small Circular Tee Box	LP104M25	60.3	28	10
Small Circular Intersection Box	LP105M20	60.3	25	10
Small Circular Intersection Box	LP105M25	60.3	28	10



LP101M



LP102M



LP103M



LP104M



LP105M

*all dimensions are nominal value in mm
refer to our catalogue for the complete product range*



Back Outlet Small Circular Boxes

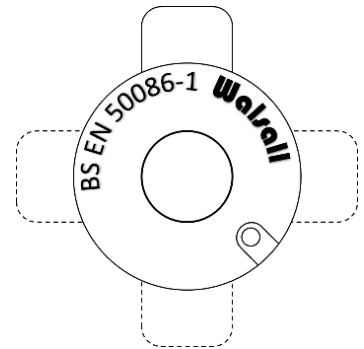
PRODUCT FEATURES

- Material: Made of Malleable Iron
- Finish: Hot Dipped Galvanized
- Tapped M4 at 50.8mm centres
- With a tapped hole in base for earthing screw.
- Supplied without covers or fixing screws unless ordered.

PRODUCT APPLICATIONS

- Use with 20mm & 25mm Conduits

PRODUCT LIST



Description	Part Number	Diameter (mm)	Depth (mm)	Packing
Small Circular Back Outlet Box	LP106M20	60.3	25	10
Small Circular Back Outlet Box	LP106M25	60.3	28	10
Small Circular Terminal & Back Outlet Box	LP107M20	60.3	25	10
Small Circular Terminal & Back Outlet Box	LP107M25	60.3	28	8
Small Circular Through & Back Outlet Box	LP108M20	60.3	25	8
Small Circular Through & Back Outlet Box	LP108M25	60.3	28	8
Small Circular Angle & Back Outlet Box	LP109M20	60.3	25	8
Small Circular Angle & Back Outlet Box	LP109M25	60.3	28	8
Small Circular Tee & Back Outlet Box	LP110M20	60.3	25	8
Small Circular Tee & Back Outlet Box	LP110M25	60.3	28	8
Small Circular Intersection & Back Outlet Box	LP111M20	60.3	25	6
Small Circular Intersection & Back Outlet Box	LP111M25	60.3	28	6



LP106M



LP107M



LP108M



LP109M



LP110M



LP111M

*all dimensions are nominal value in mm
refer to our catalogue for the complete product range*



Tangent Small Circular Boxes

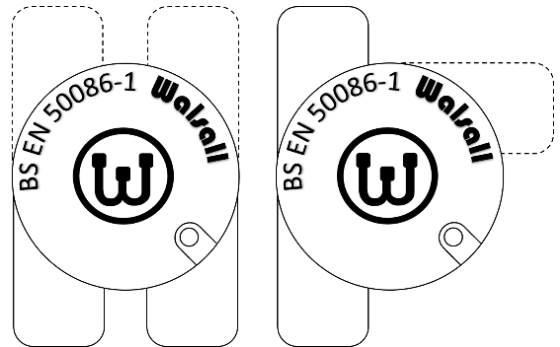
PRODUCT FEATURES

- Material: Made of Malleable Iron
- Finish: Hot Dipped Galvanized
- Tapped M4 at 50.8mm centres
- With a tapped hole in base for earthing screw.
- Supplied without covers or fixing screws unless ordered.

PRODUCT APPLICATIONS

- Use with 20mm & 25mm Conduits

PRODUCT LIST



Description	Part Number	Diameter (mm)	Depth (mm)	Packing
Small Circular Tangent Through Box	LP112M20	60.3	25	10
Small Circular Tangent Through Box	LP112M25	60.3	28	10
Small Circular Tangent Angle Box	LP113M20	60.3	25	10
Small Circular Tangent Angle Box	LP113M25	60.3	28	10
Small Circular Tangent Tee Box	LP114M20	60.3	25	6
Small Circular Tangent Tee Box	LP114M25	60.3	28	6
Small Circular Branch Two Way (U) Box	LP115M20	60.3	25	10
Small Circular Branch Two Way (U) Box	LP115M25	60.3	28	10
Small Circular Branch Three Way (Y) Box	LP116M20	60.3	25	10
Small Circular Branch Three Way (Y) Box	LP116M25	60.3	28	10
Small Circular Twin Through Way (H) Box	LP117M20	60.3	25	10
Small Circular Twin Through Way (H) Box	LP117M25	60.3	28	10



LP112M



LP113M



LP114M



LP115M



LP116M



LP117M

*all dimensions are nominal value in mm
refer to our catalogue for the complete product range*

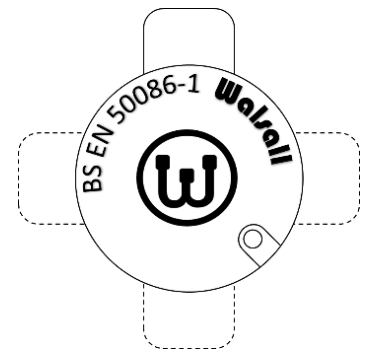


Walsall

Large Circular Boxes

PRODUCT FEATURES

- Material: Made of Malleable Iron
- Finish: Hot Dipped Galvanized
- Tapped M4 at 71.5mm centres
- With a tapped hole in base for earthing screw.
- Supplied without covers or fixing screws unless ordered.



PRODUCT APPLICATIONS

- Use with 20mm, 25mm & 32mm Conduits

PRODUCT LIST

Description	Part Number	Diameter (mm)	Depth (mm)	Packing
Large Circular Terminal Box	LP118M20	81	35	5
Large Circular Terminal Box	LP118M25	81	38	5
Large Circular Terminal Box	LP118M32	81	38	5
Large Circular Through Box	LP119M20	81	35	5
Large Circular Through Box	LP119M25	81	38	5
Large Circular Through Box	LP119M32	81	38	5
Large Circular Angle Box	LP120M20	81	35	5
Large Circular Angle Box	LP120M25	81	38	5
Large Circular Angle Box	LP120M32	81	38	5
Large Circular Tee Box	LP121M20	81	35	5
Large Circular Tee Box	LP121M25	81	38	5
Large Circular Tee Box	LP121M32	81	38	5
Large Circular Intersection Box	LP122M20	81	35	5
Large Circular Intersection Box	LP122M25	81	38	5
Large Circular Intersection Box	LP122M32	81	38	5



LP118M



LP119M



LP120M



LP121M



LP122M

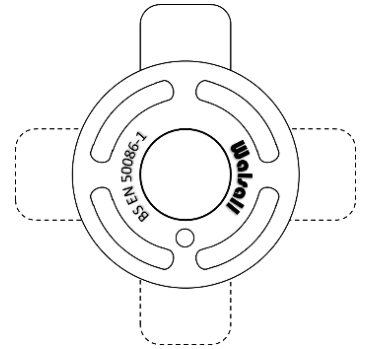
*all dimensions are nominal value in mm
refer to our catalogue for the complete product range*



Extension Pattern Small Circular Boxes

PRODUCT FEATURES

- Material: Made of Malleable Iron
- Finish: Hot Dipped Galvanized
- Tapped M4 at 50.8mm centres
- With a tapped hole in base for earthing screw.
- Supplied without covers or fixing screws unless ordered.



PRODUCT APPLICATIONS

- Use with 20mm & 25mm Conduits

PRODUCT LIST

Description	Part Number	Diameter (mm)	Depth (mm)	Packing
Small Extension Pattern Terminal Box	LP125M20	60.3	25	10
Small Extension Pattern Terminal Box	LP125M25	60.3	28	10
Small Extension Pattern Through Box	LP126M20	60.3	25	10
Small Extension Pattern Through Box	LP126M25	60.3	28	10
Small Extension Pattern Angle Box	LP127M20	60.3	25	10
Small Extension Pattern Angle Box	LP127M25	60.3	28	10
Small Extension Pattern Tee Box	LP128M20	60.3	25	10
Small Extension Pattern Tee Box	LP128M25	60.3	28	10
Small Extension Pattern Intersection Box	LP129M20	60.3	25	10
Small Extension Pattern Intersection Box	LP129M25	60.3	28	10



LP125M



LP126M



LP127M



LP128M



LP129M

*all dimensions are nominal value in mm
refer to our catalogue for the complete product range*